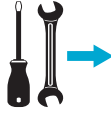




www.abloy.com/dop

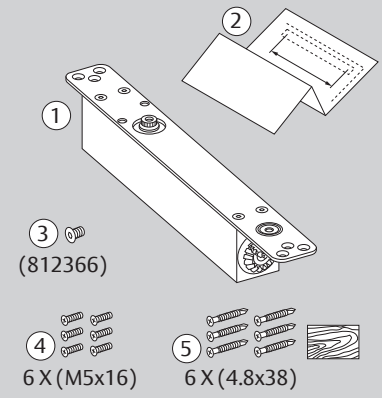


DoP

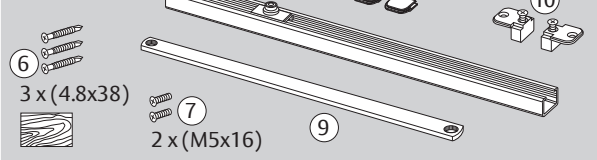


www.abloy.com/dop

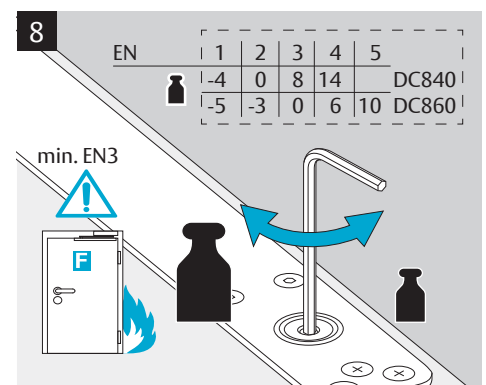
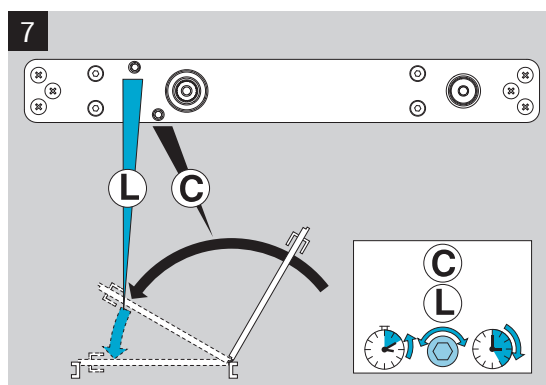
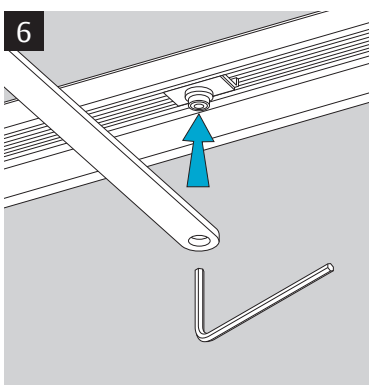
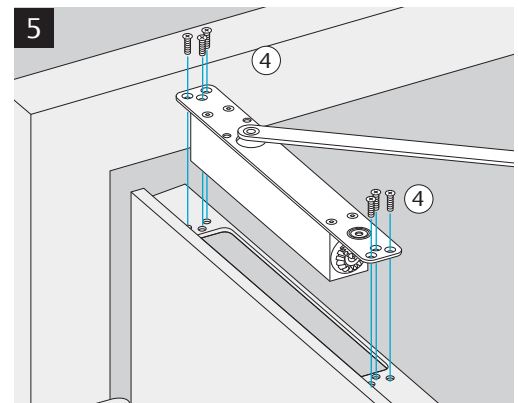
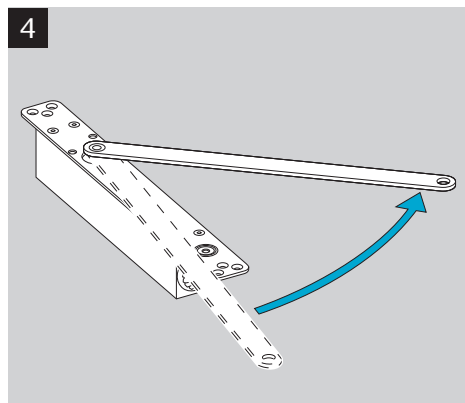
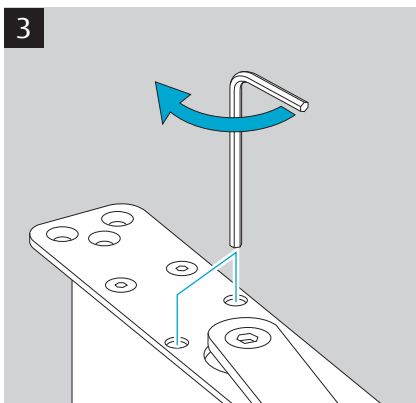
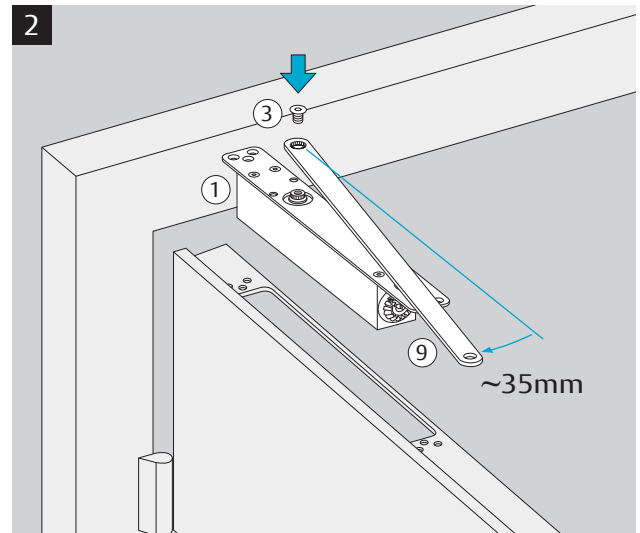
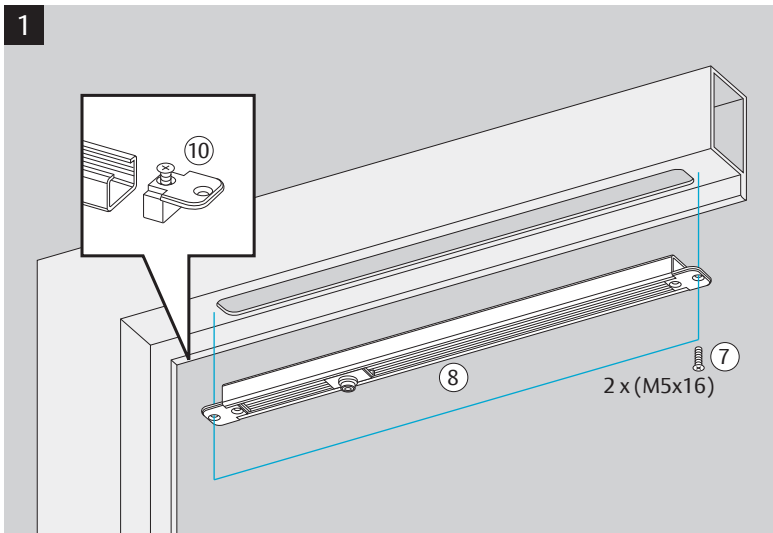
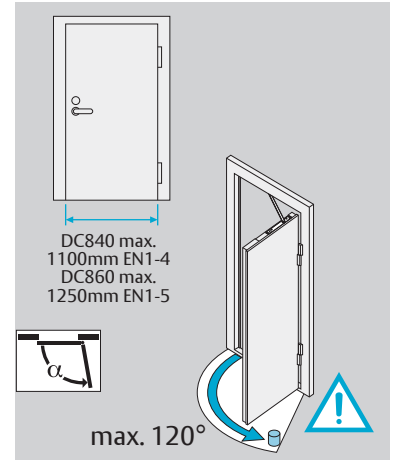
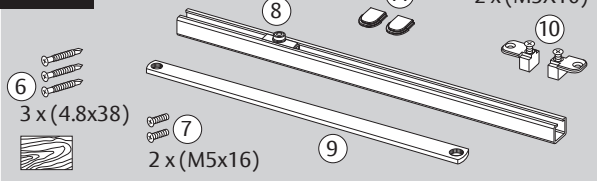
DC860/ DC840

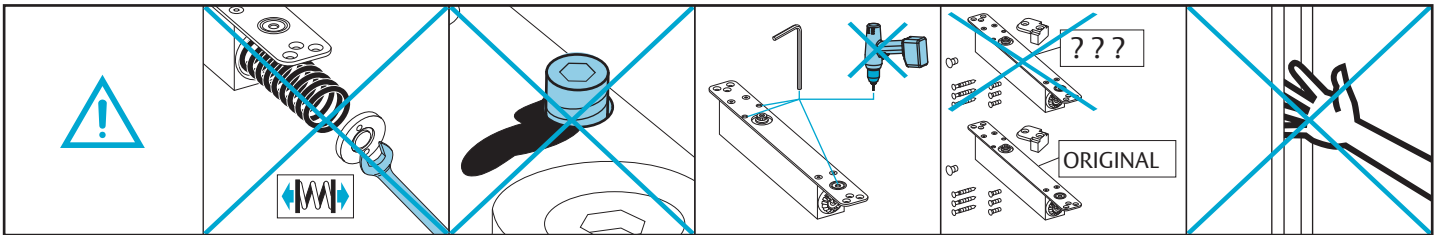
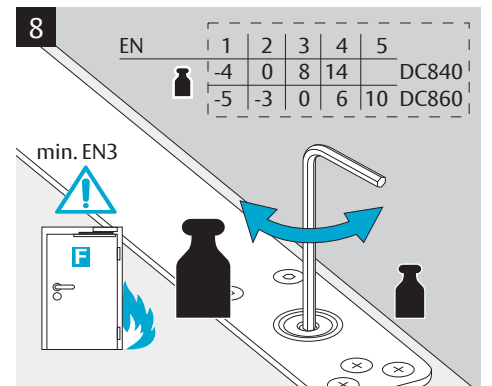
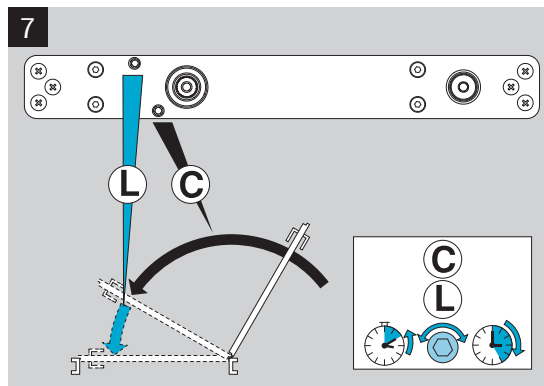
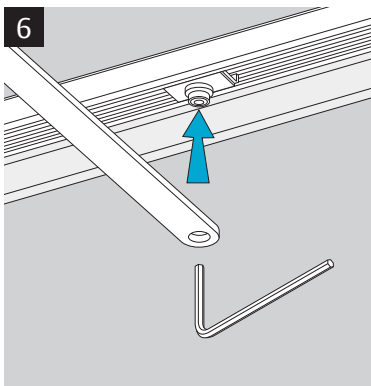
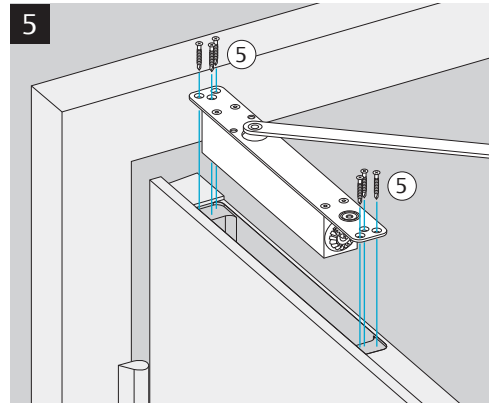
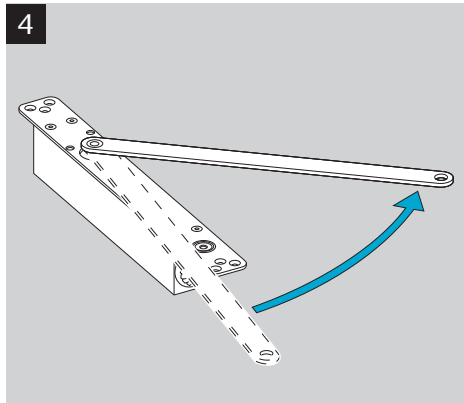
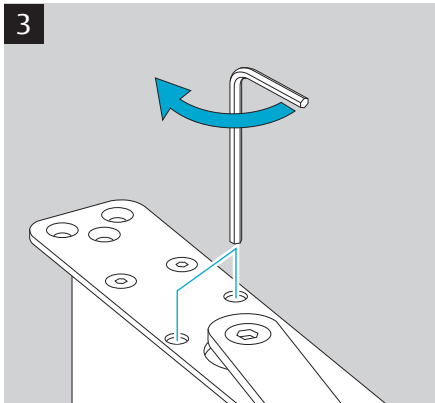
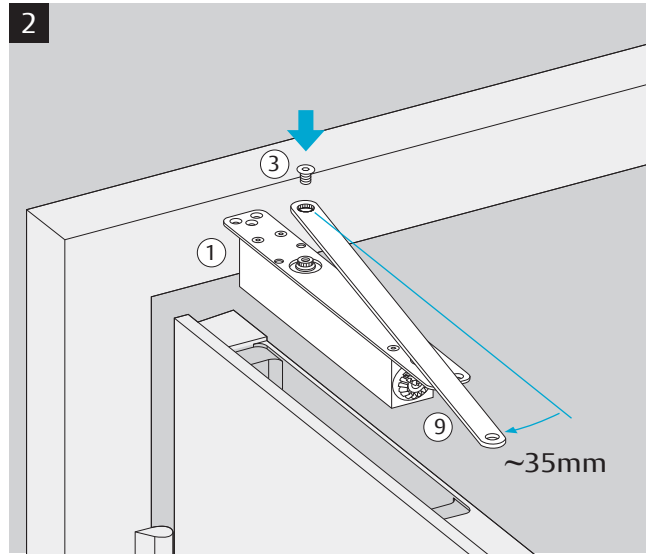
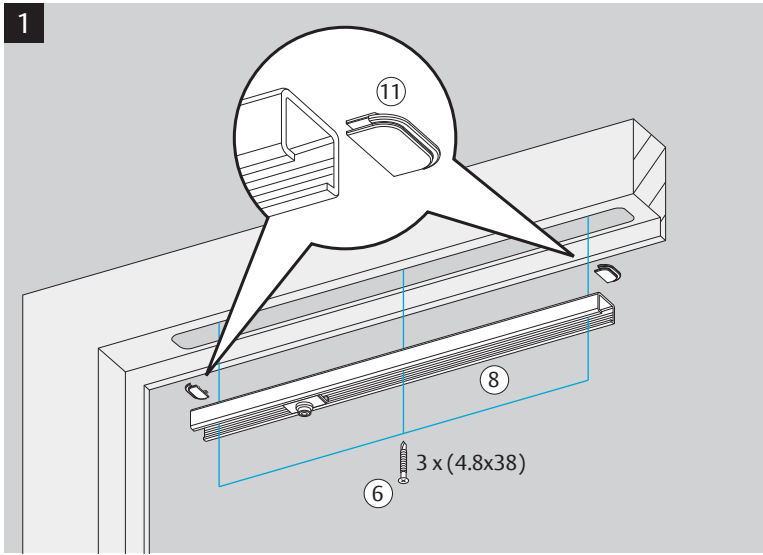


G893



G892





DC840 + G892(G893)

CE	Abloy Oy, PO Box 108 80101 Joensuu Finland		11
	DC840		
Dangerous substances: None			

DC860 + G892(G893)

CE	Abloy Oy, PO Box 108 80101 Joensuu Finland		09
	DC860		
Dangerous substances: None			

ASSA ABLOY

Abloy Oy
P.O.Box 108
80101 Joensuu
FINLAND
Tel.: +358-20 599 2501
Fax: +358-20 599 2209
www.assaabloy.com
www.abloy.com/dop

9313773 13.2.2018