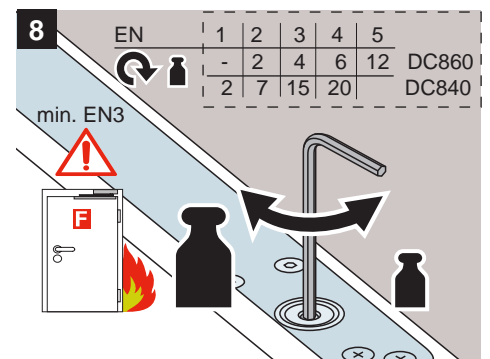
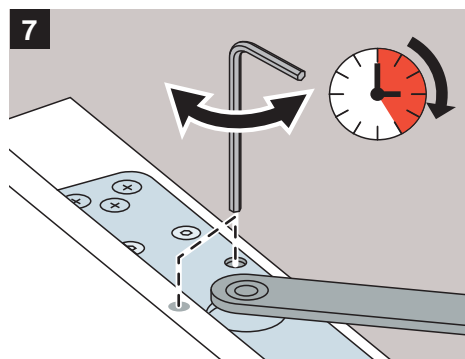
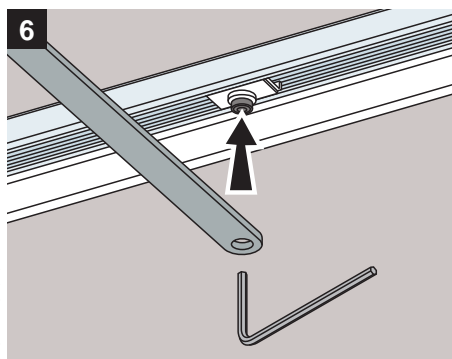
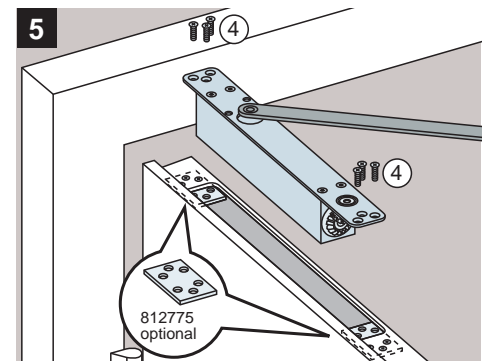
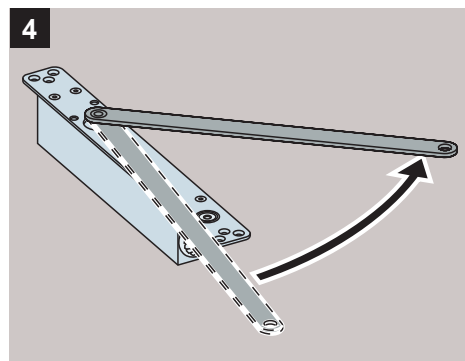
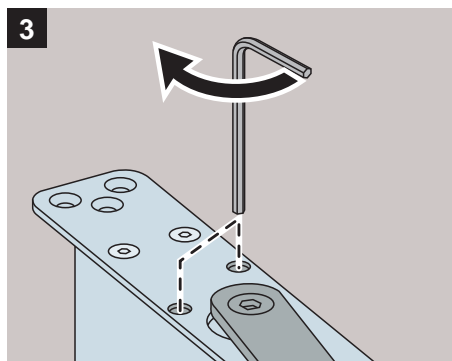
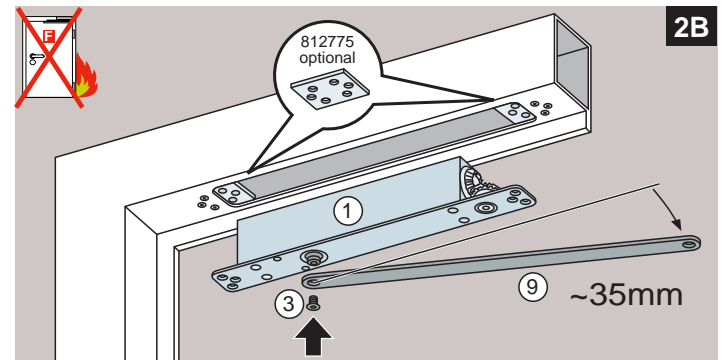
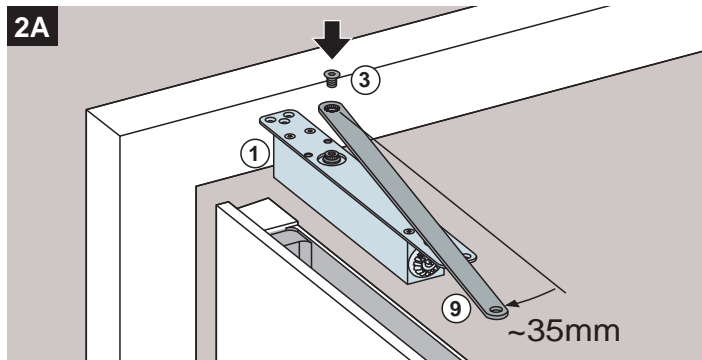
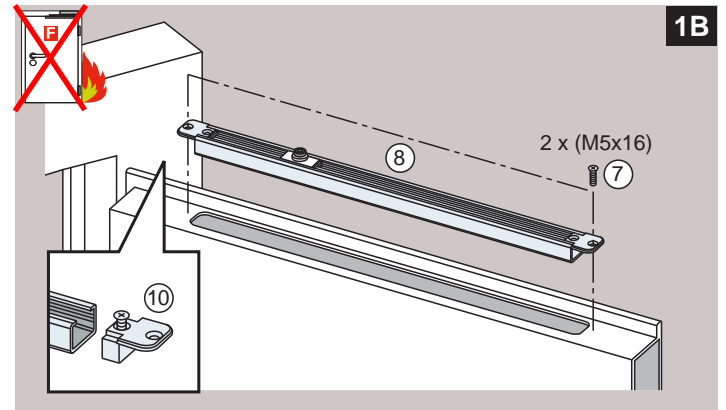
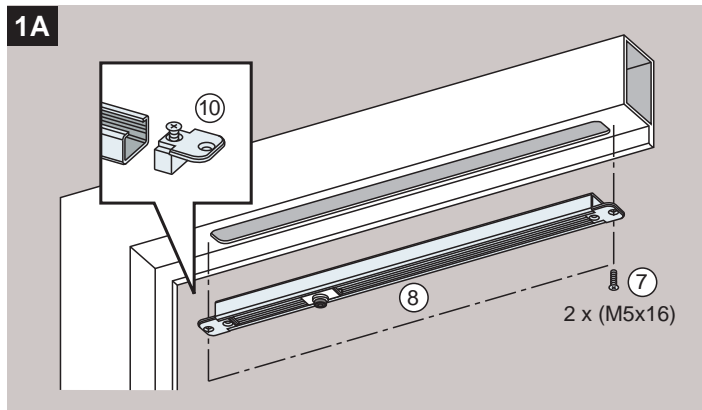
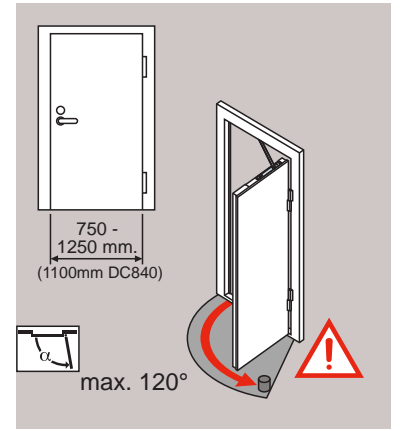
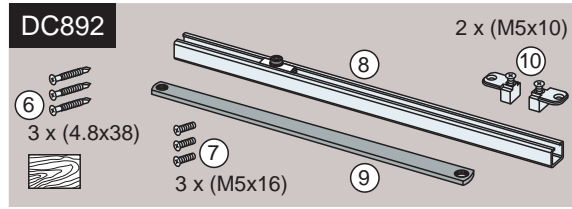
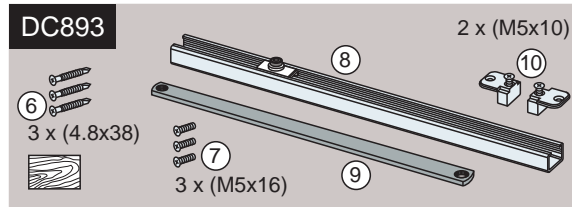
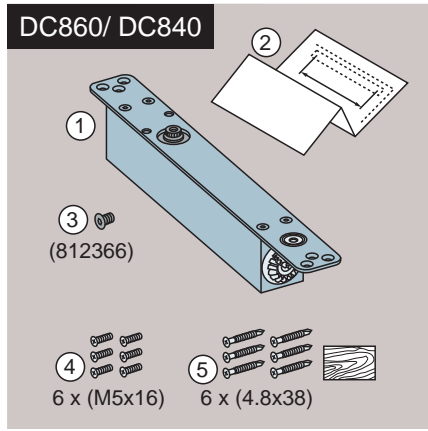
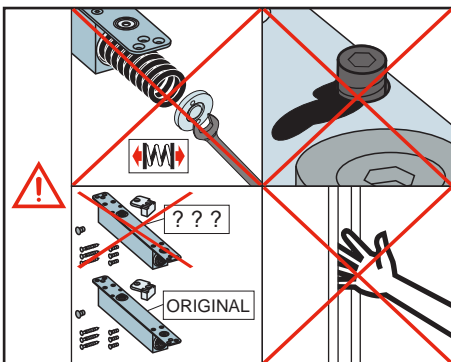
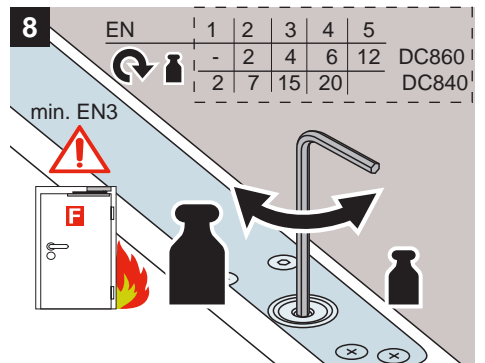
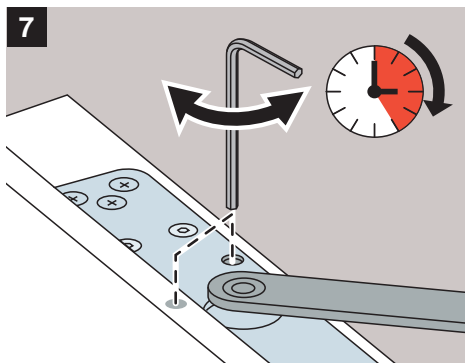
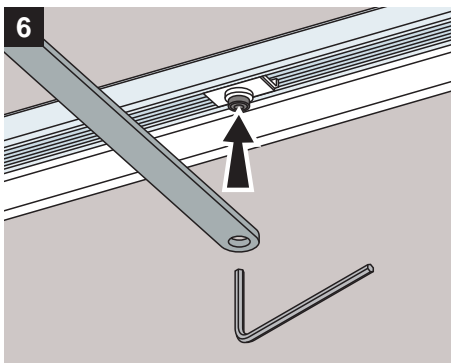
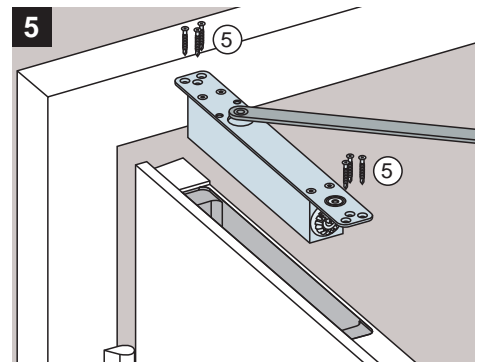
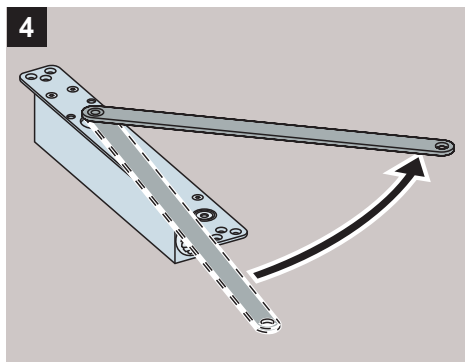
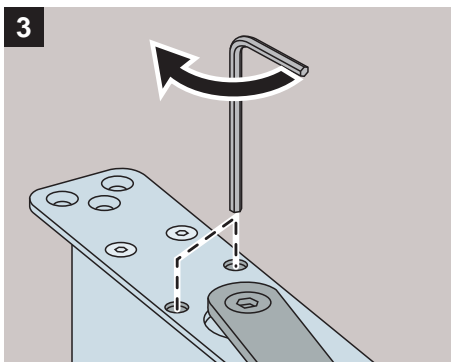
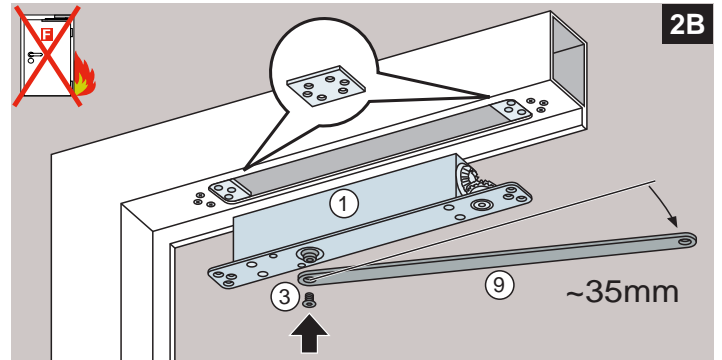
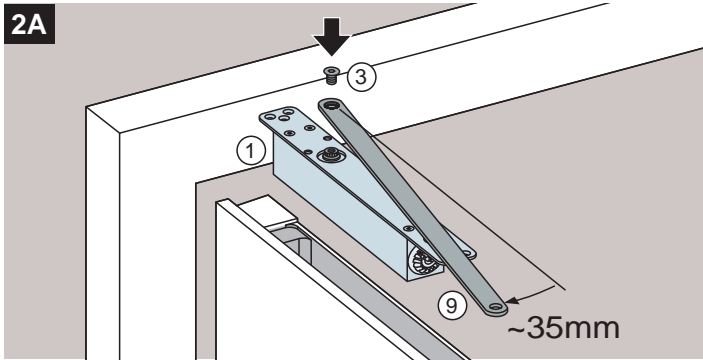
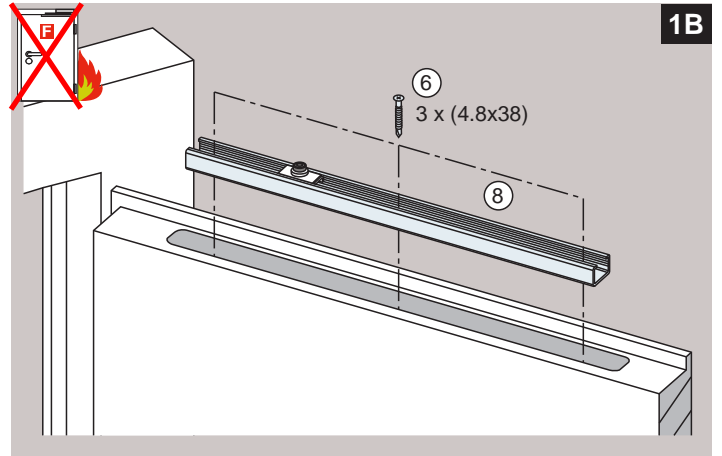
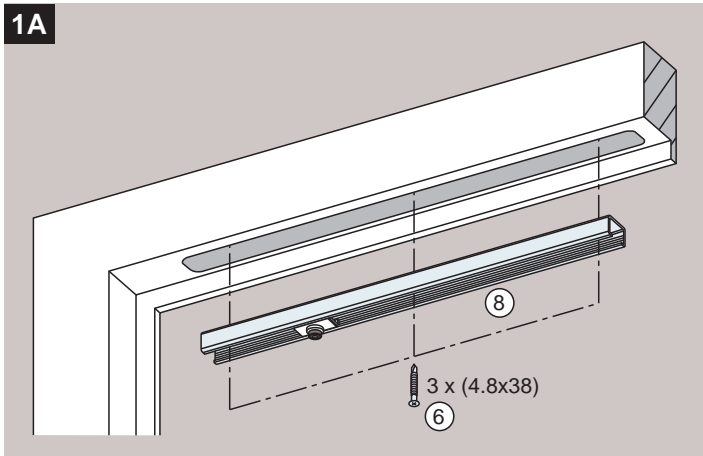


DC860/ DC840 + DC893 / DC892





DC860 + DC892(DC893)
 DC9610 + DCA892(DCA893)
 DC 990 + DC 912(DC 922)
 FP8600 + ARG892(ARG893)
 D6001 + D6020
 TEX26 + GDXS

CE	Abloy Oy PO Box 108 80101 Joensuu, Finland	09
	0432-CPD-0047 EN 1154:1996+A1:2002	3 8 5 1 1 2

DC840 + DC892(DC893)
 FP8400 + ARG892(ARG893)
 TEX14 + GDXS

CE	Abloy Oy PO Box 108 80101 Joensuu, Finland	11
	0432-CPD-0047 EN 1154:1996+A1:2002	3 8 4 1 1 3

